

Series USB-A USB, Type A with Power Plug (Solder Type)

Specifications

Insulation Resistance: 1,000MΩ min. at 500V DC
 Current Rating: 1.5A max.
 Voltage Rating: 250V AC
 Withstanding Voltage: 500V AC for 1 minute
 Contact Resistance: 30mΩ max.

Materials and Finish

Housing: Nylon 6T + 30% glass filled UL94V-0 rated
 Shell: Phosphor Bronze, Sn over Ni
 Contacts: Phosphor Bronze
 Contact Plating: Solder Area: Sn over Ni
 Mating Area: 30μ" Au over Ni

Features

- USB-A standard interface plus separate power contacts
- Assembly type plug

Part Number (Details)

USB-APOWER - P0 *

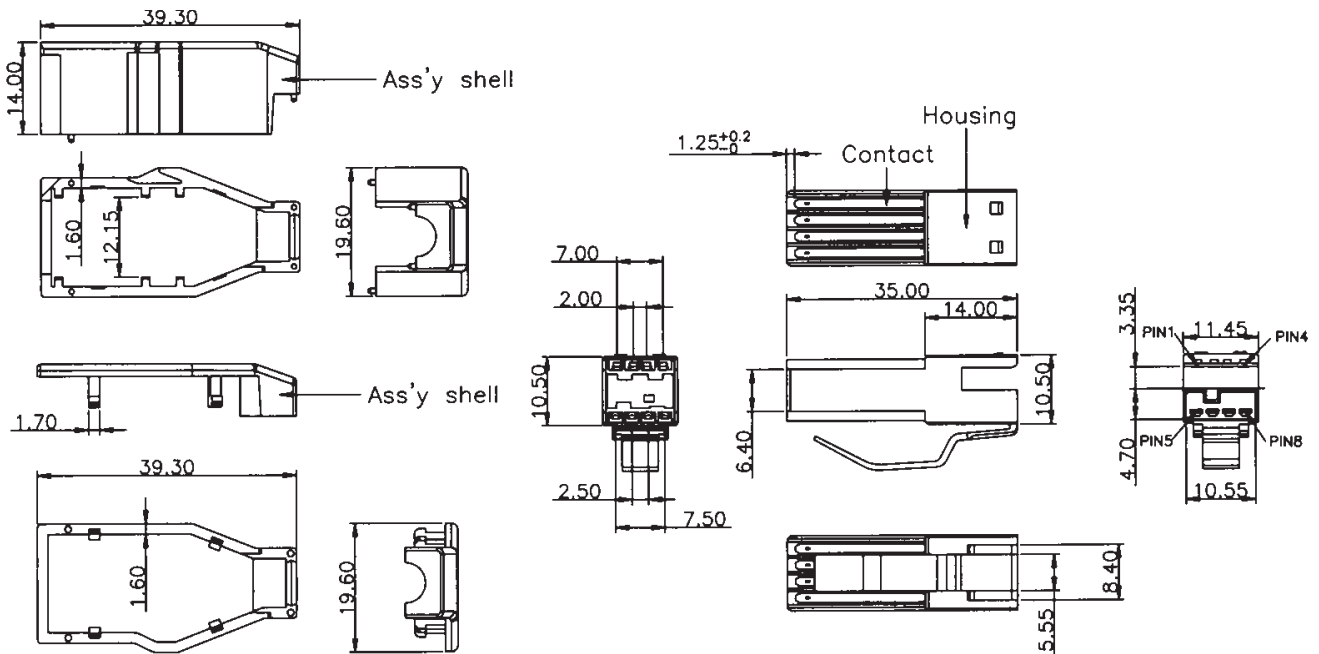
Series No.

Insulator:

- 1 = 5V (black)
- 2 = 24V (red)
- 3 = 12V (green)



Outline Dimensions



Assembly Type

